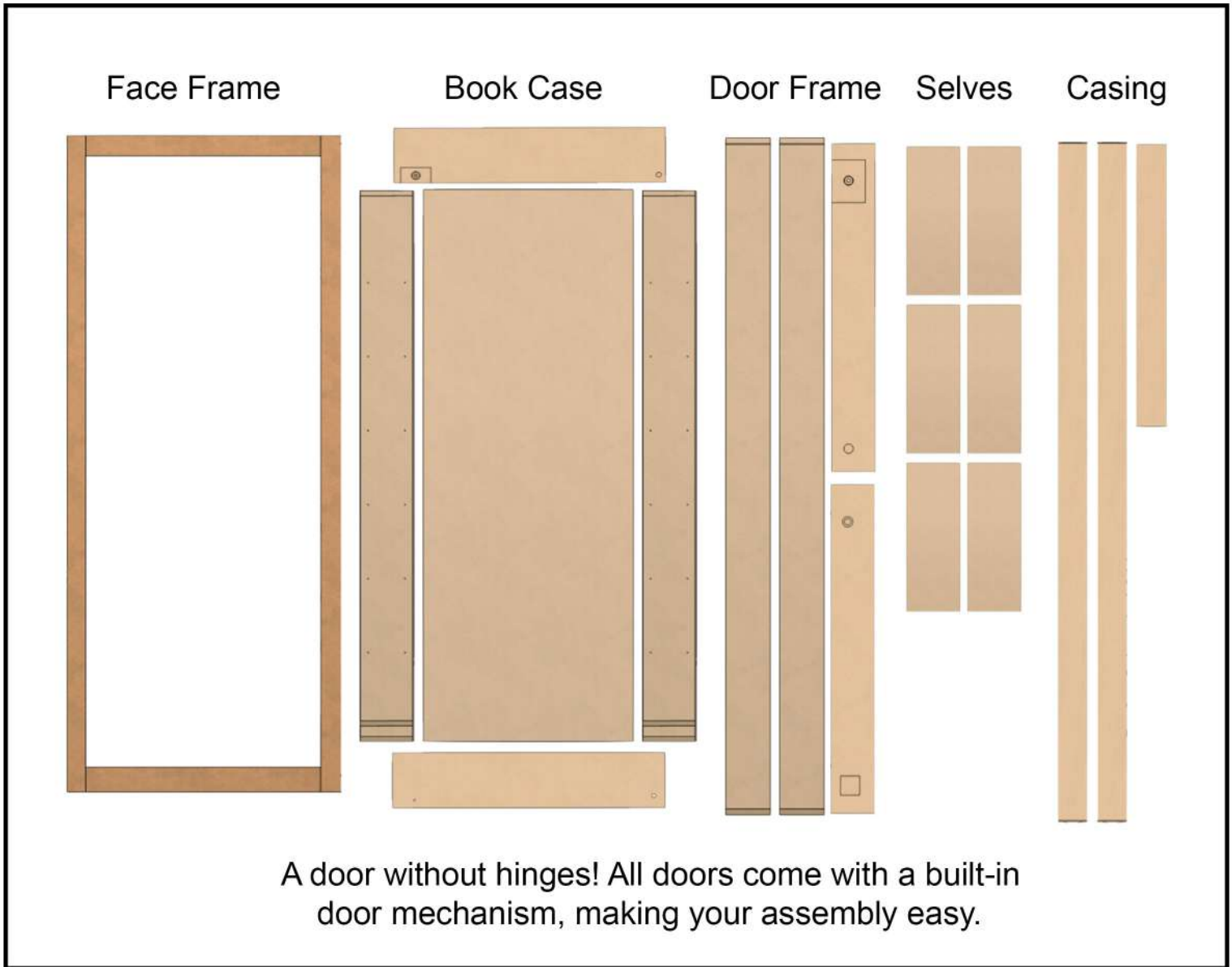




**MADERRA**

Hidden Bookshelf Doors



## Tools Needed



Drill



6-Inch #2  
Square Driver  
Bit



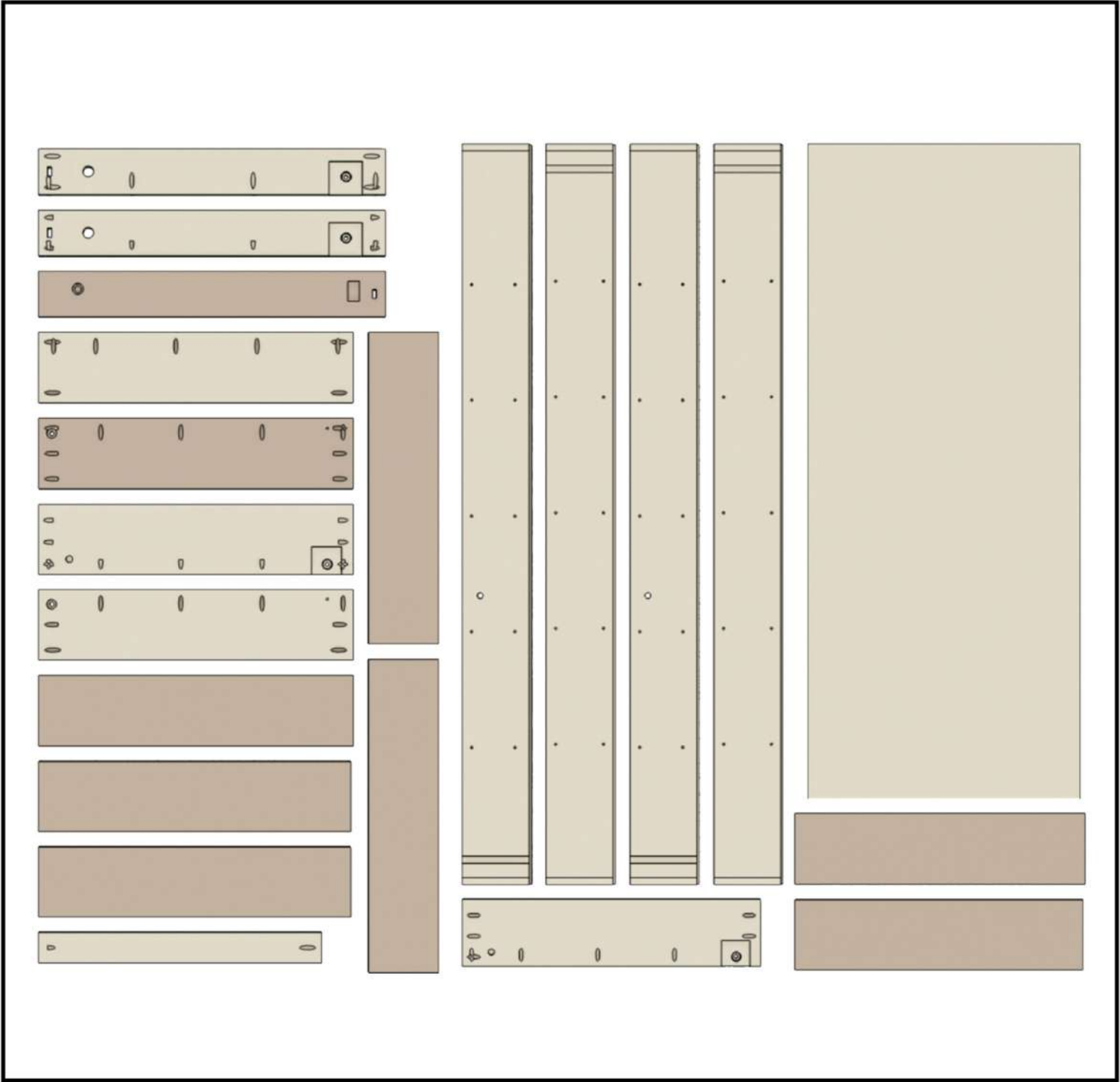
Glue



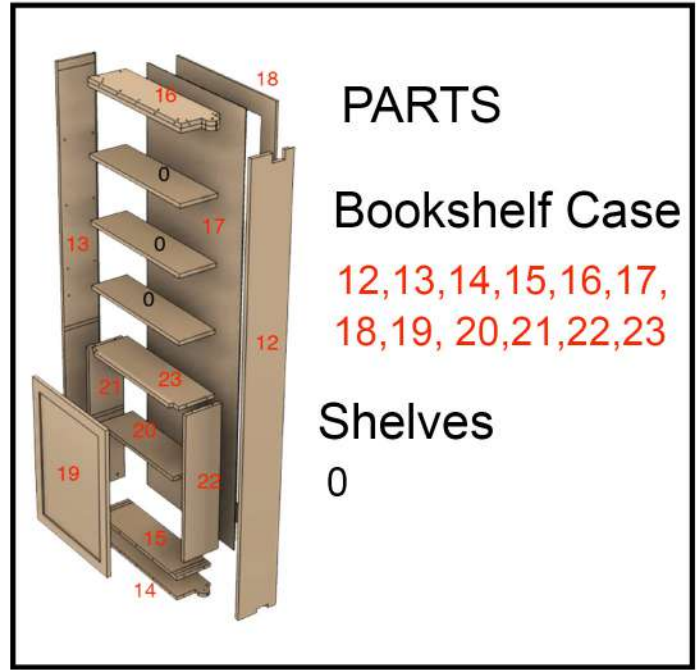
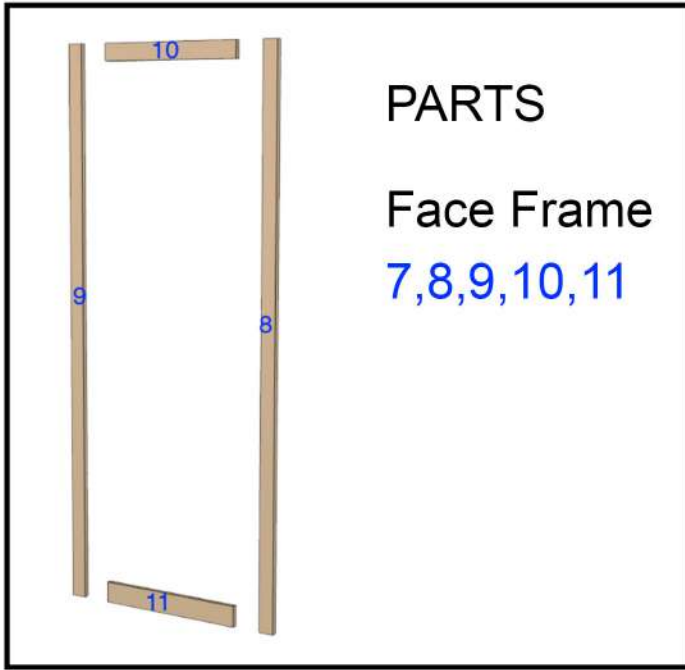
Nail Gun



Staple Gun



## Bookshelf Door Carcass Component



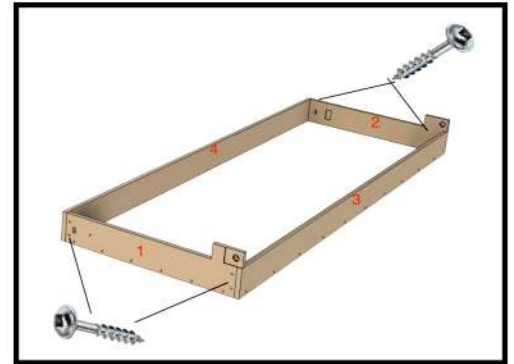
## Prehang Door Frame & Door Casing



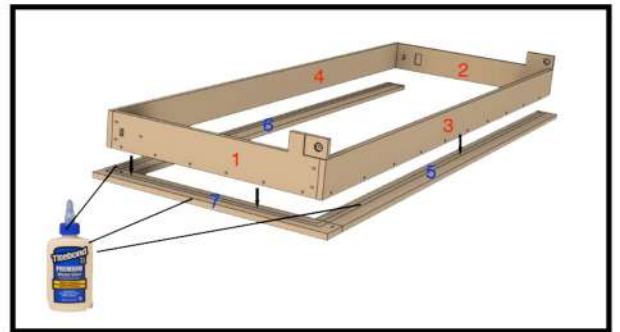
### Step-1

Assemble the prehang door frame by screwing all four corners using the pre drill pocket holes as your guide.

Note: Glue all corner

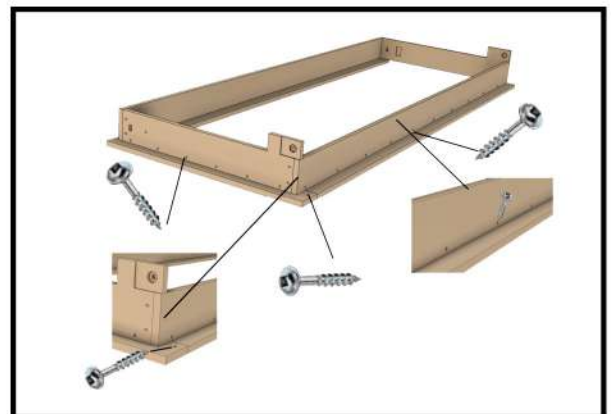


Attach the door casing to the prehang door frame.



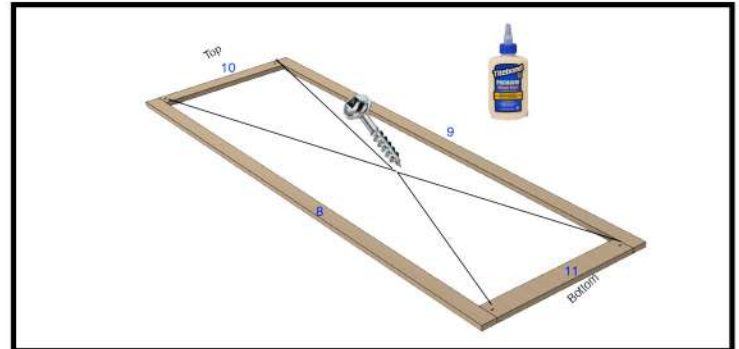
### Step-2

Screw the prehand door frame to your door casing using the pocket holes as you guide.



### Step-3

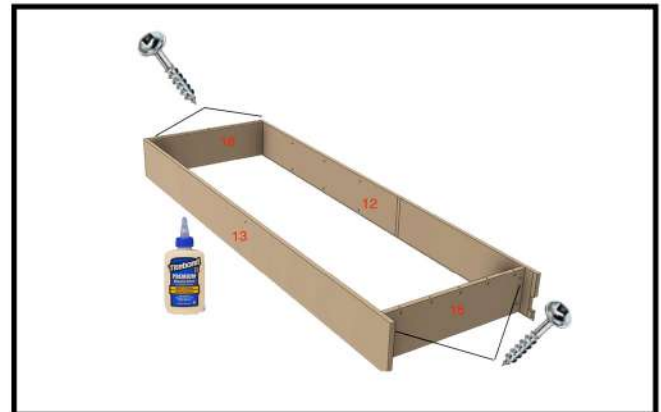
Assemble the face frame by placing the face frame on a flat surface with the pocket holes facing upwards. Glue and screw all four corners of the frame. Pocket holes as your guide.



### Step-4

Place the bookshelf door carcass facing up and screw all four corner.

Note: Glue all corner

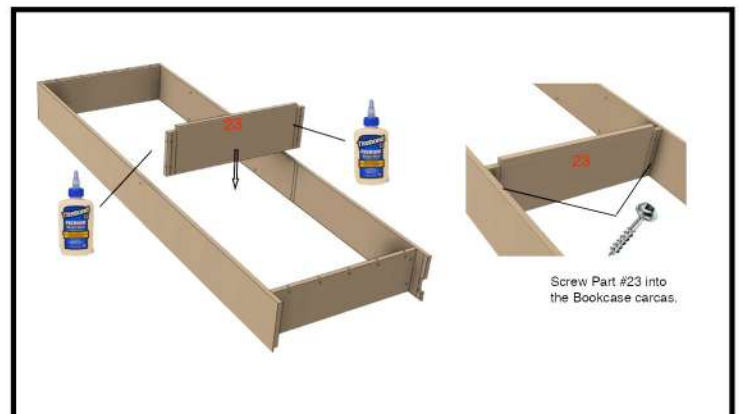


### Step-5

Glue the ends of part # 23.

Insert part #23 in the dadoes of the part 12, 13.

Screw Part #23 into the Bookcase Carcass



### Step-6

Assemble the bottom door carcass using parts 20, 21, 22.

Screw part 20, to part 21, and 22

Insert the unit into the bookcase using the dado slots as your guide

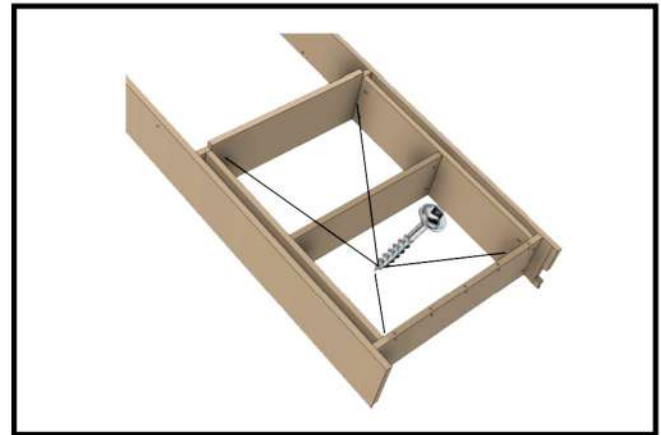
Note: Glue all corner



### Step-7

Screw parts using the pocket screws

Note: Glue all corner



### Step-8

Put Glue on top of the face carcass and then place the face frame on top of it. Ensure that the box is square. Proceed to nail around the face frame to the bookshelf door carcass.



### Step-9

Proceed to nail around the face frame to the bookshelf door carcass



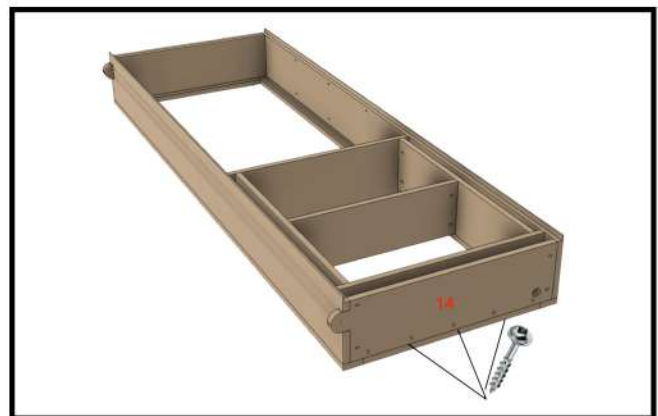
### Step-10

Flip the bookshelf door carcass on its back. Place screws on the bottom of part #11



### Step-11

Screw part 14 to the bottom of the bookshelf carcass





### Step-12

Place the back panel to the back of the bookshelf case with the satple gun.

Note: Glue panel to the back of the door.



### Step-13

Place the back frame to the back of the bookshelf case with a pin nails.

Note: Glue back to the back of the door.



### Step-14

Place bottom door using the inset hinges sent with your kit. Note this part you will need to do adjustments in order to fit the door properly.

