



MADERRA

Hidden Bookshelf Doors

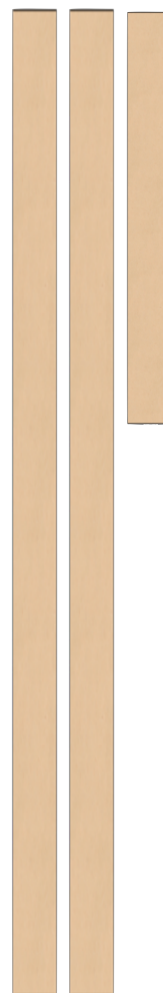
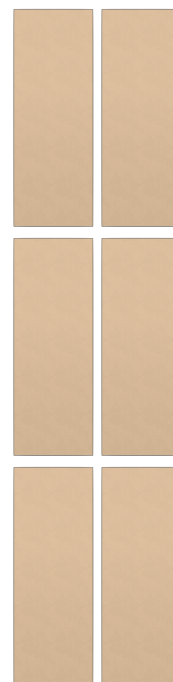
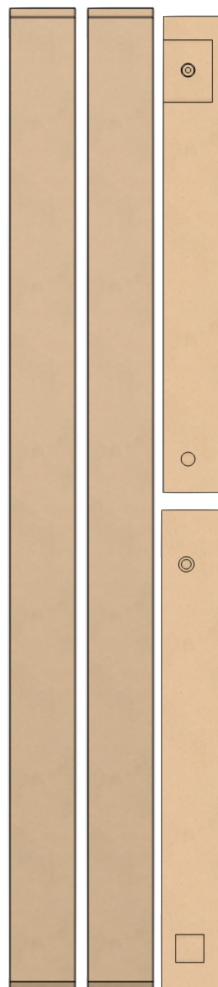
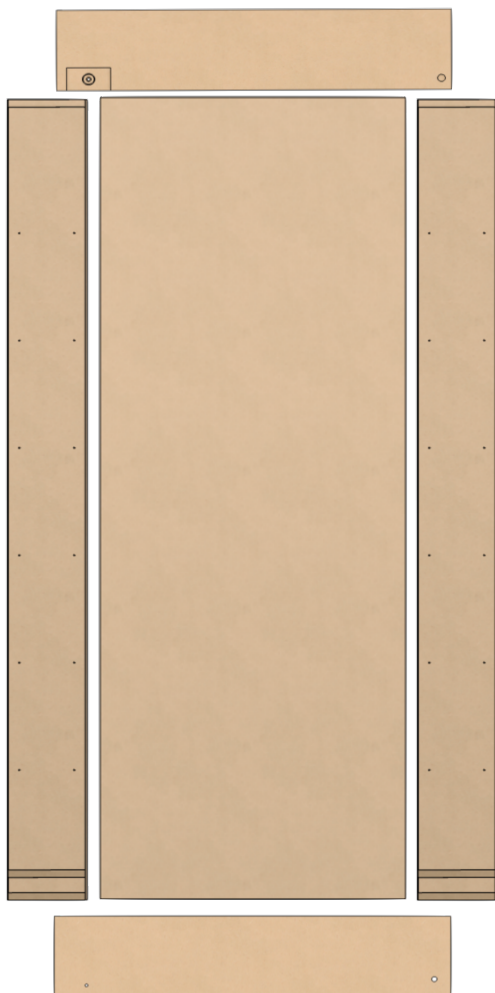
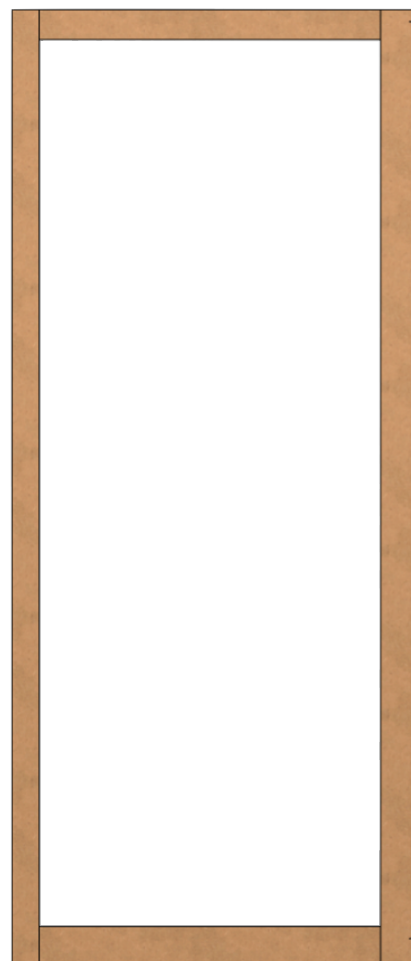
Face Frame

Book Case

Door Frame

Selves

Casing



A door without hinges! All doors come with a built-in door mechanism, making your assembly easy.

Tools Needed.



Drill



6-Inch #2 Square Driver Bit



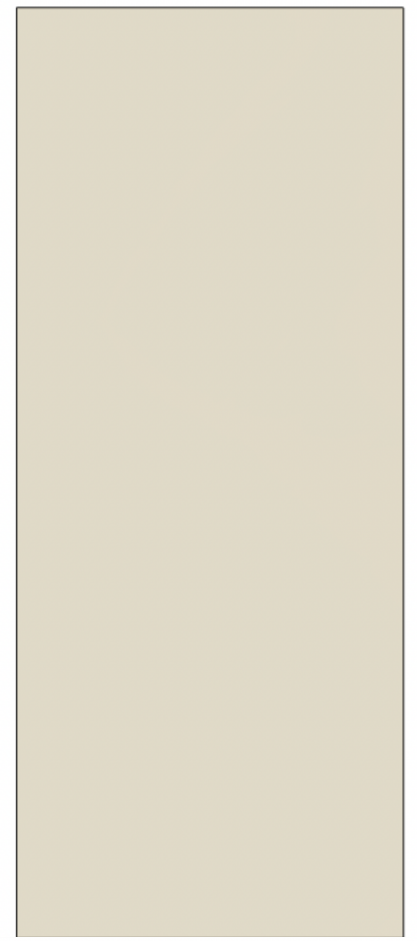
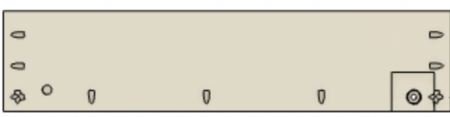
Glue



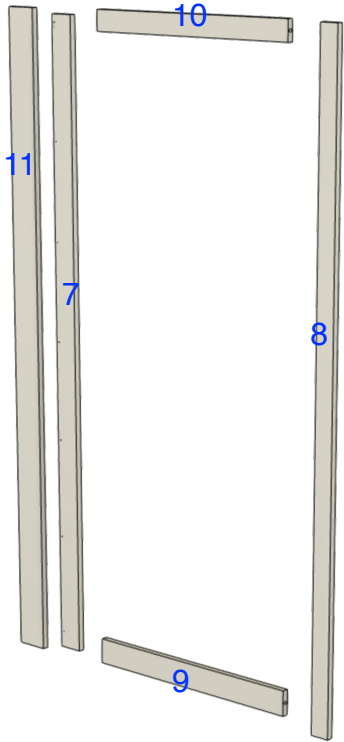
Nail Gun



Staple Gun

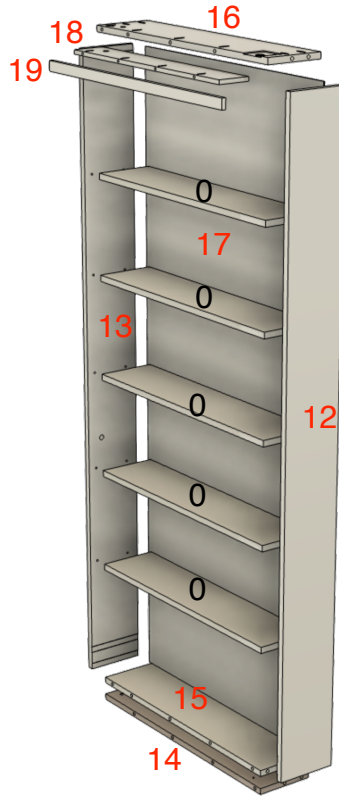


Bookshelf Door Carcass Componets



PARTS:

Face Frame
7,8,9,10,11

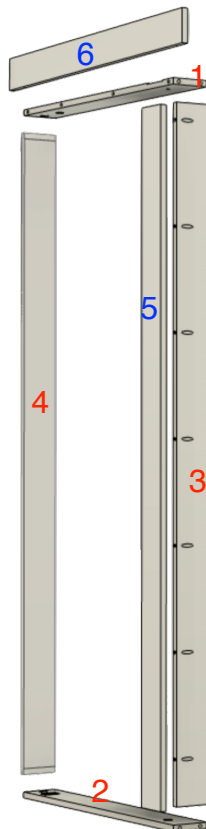


PARTS:

Bookshelf Case
12,13,14,15,16,17,18,19

Shelves
0

Prehang Door Frame & Door Casing



PARTS:

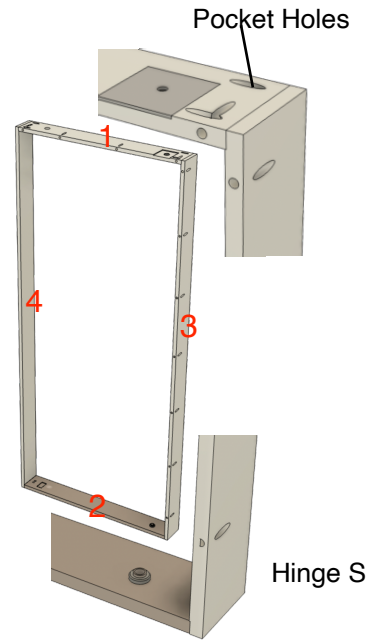
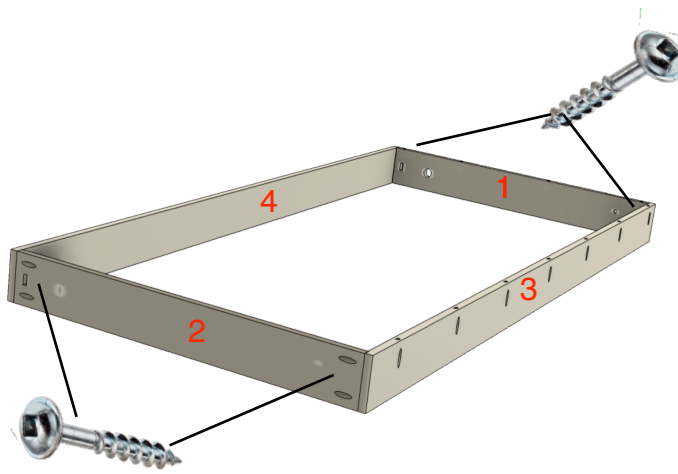
Prehang Door Frame
1,2,3,4

Door Casing
5,6

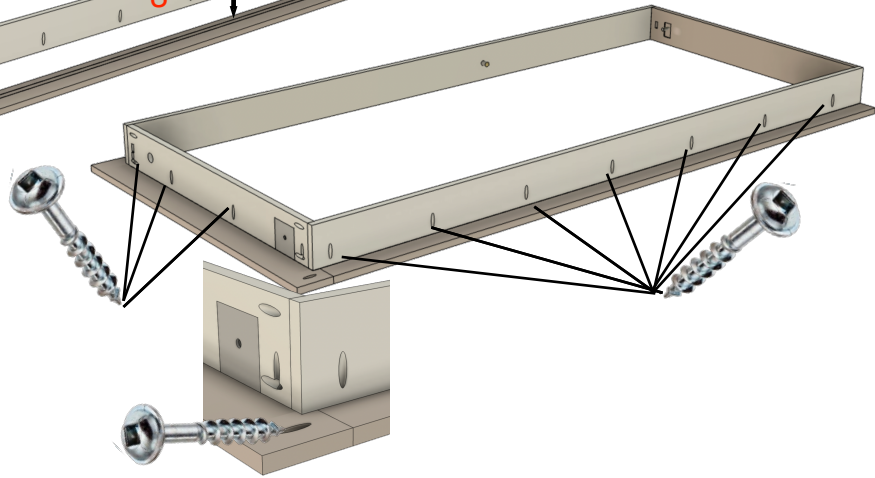
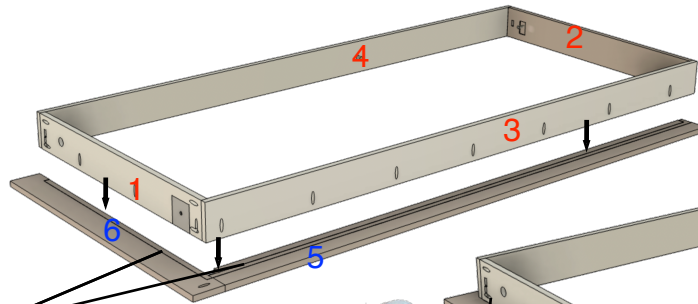
Door Assembly

Assemble the prehang door frame by screwing all four corners using the pre drill pocket holes as your guide.

Note: Glue all corner.

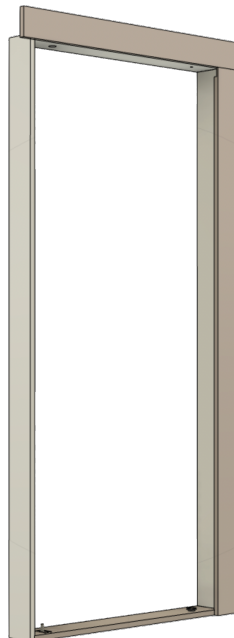


Attach the door casing to the prehang door frame.

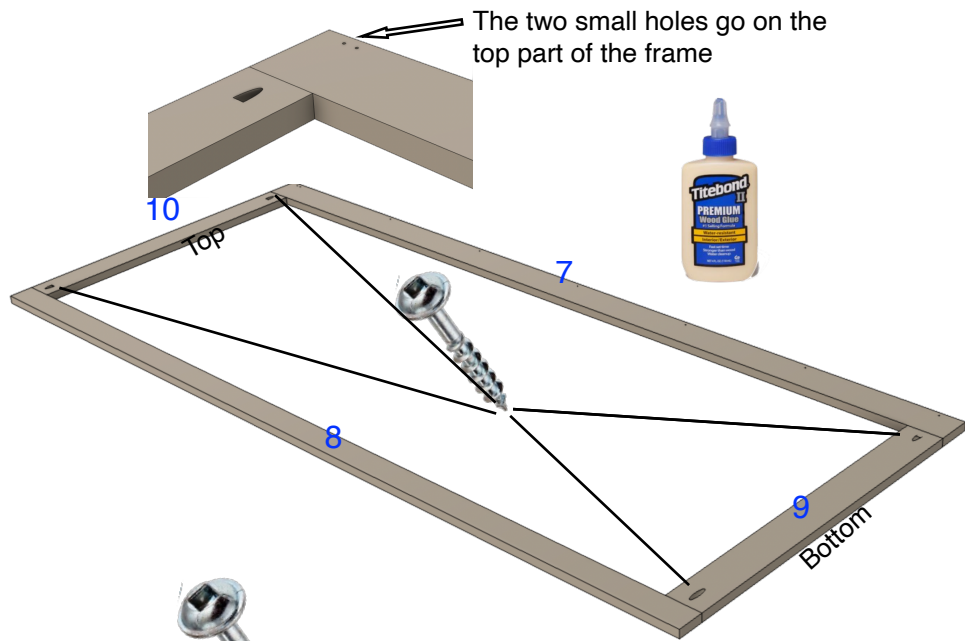


Prehang Door Frame Completed

Hinge Side

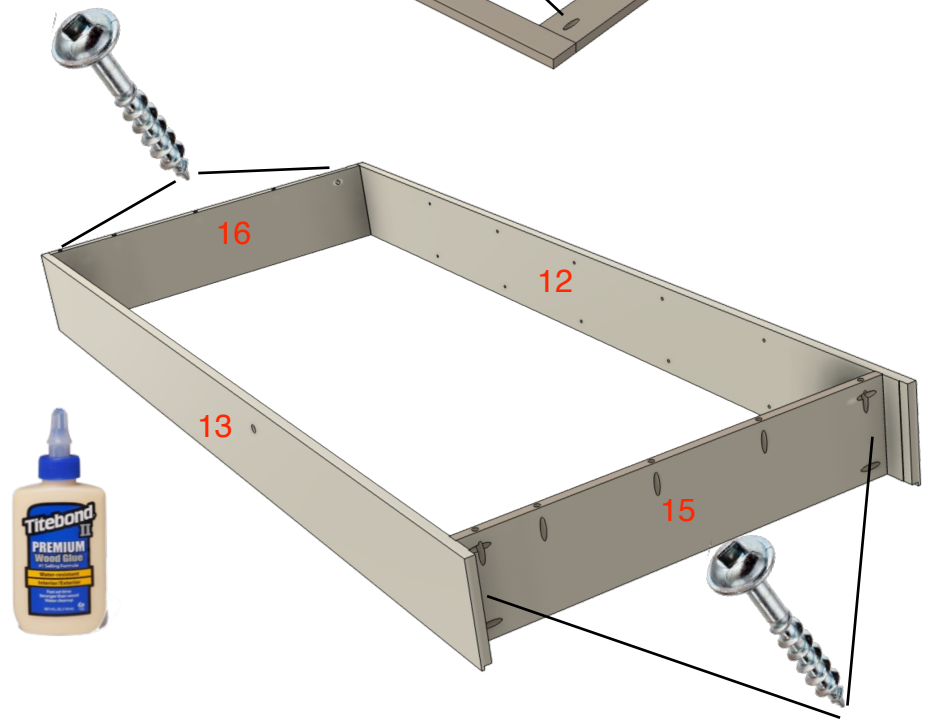


Assemble the face frame by placing the face frame on a flat surface with the pocket holes facing upwards. Glue and screw all four corners of the frame. pocket holes as your guide.



Place the bookshelf door carcass facing up and screw all four corners.

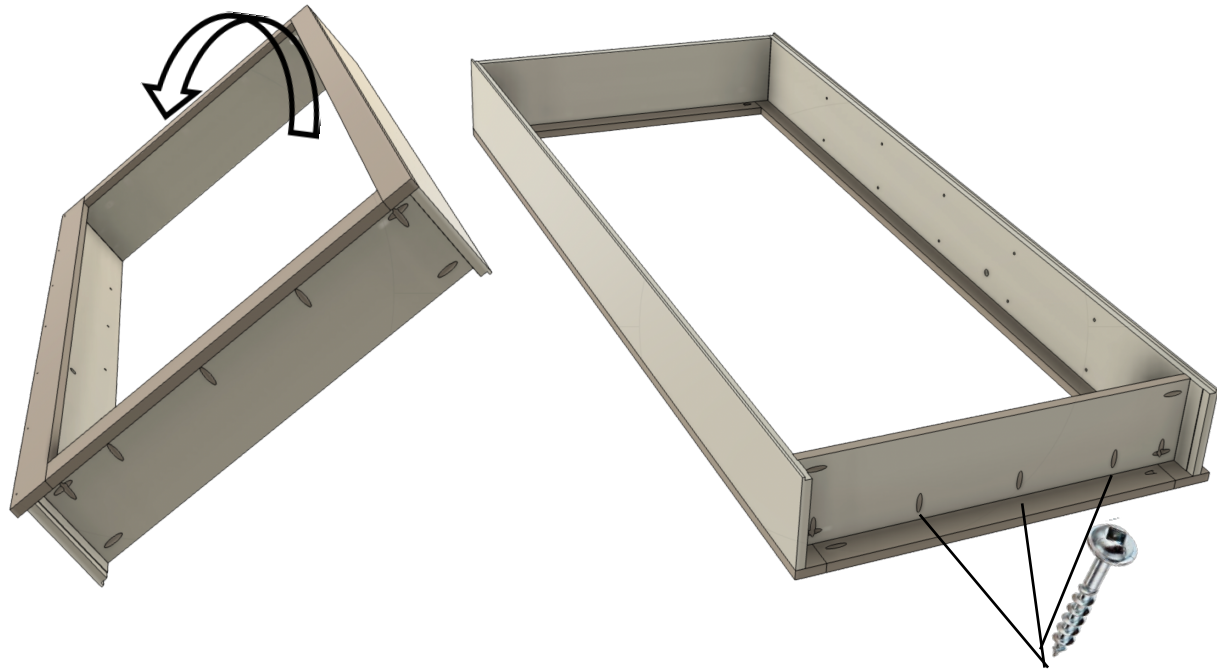
Note: Glue all corner.



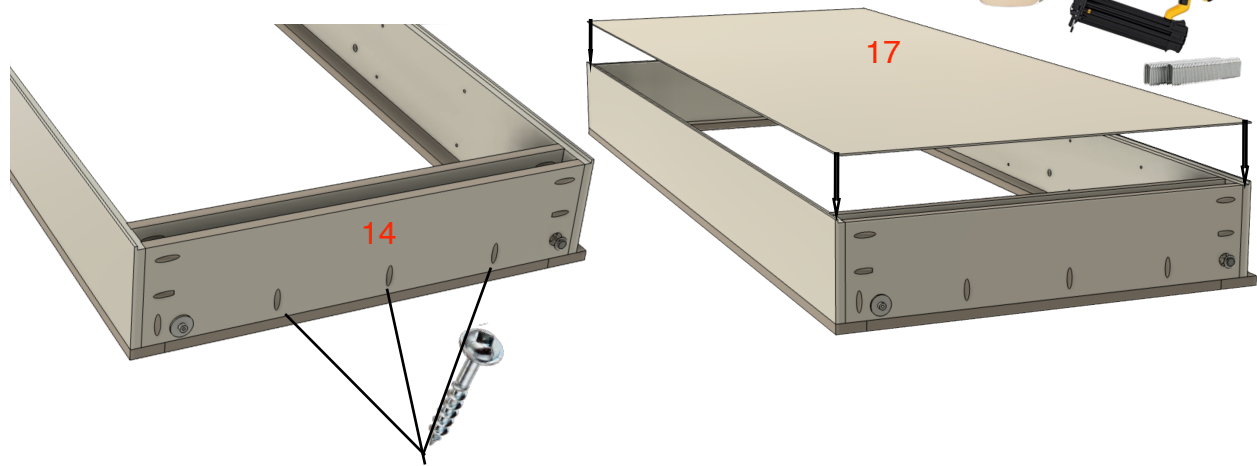
Put Glue on top of the face carcass and then place the face frame on top of it. Ensure that the box is square. Proceed to nail around the face frame to the bookshelf door carcass



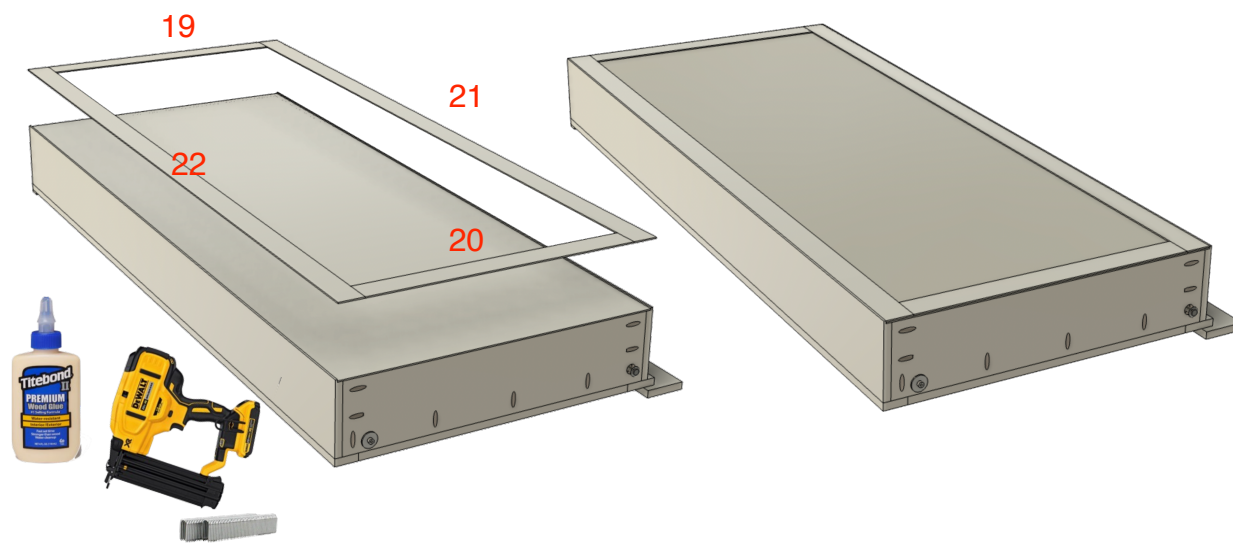
Flip the bookshelf door carcass on its back. Place screws on the bottom of part #8



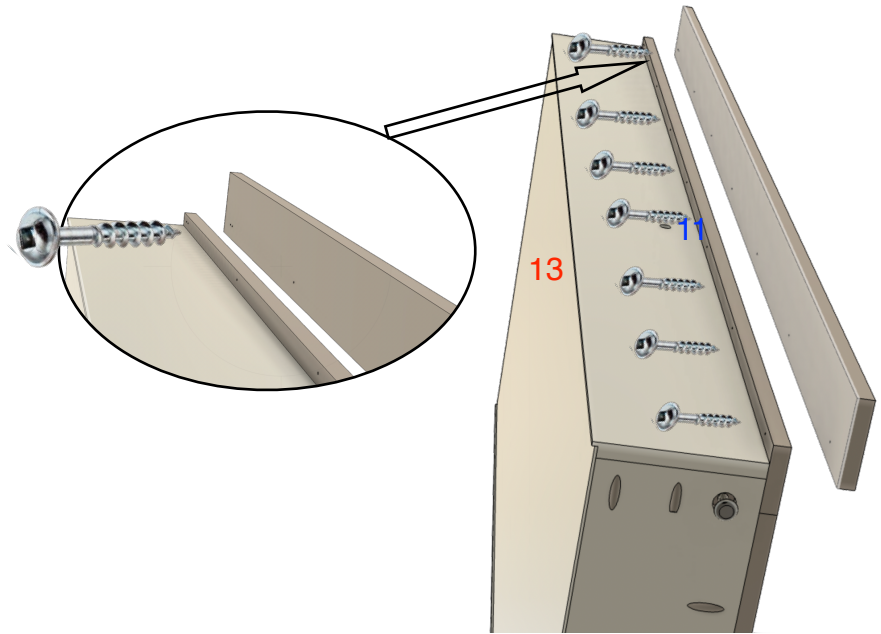
Screw part 14 to the bottom of the bookshelf carcass and place the back panel to the back of the bookshelf case with a staple gun.



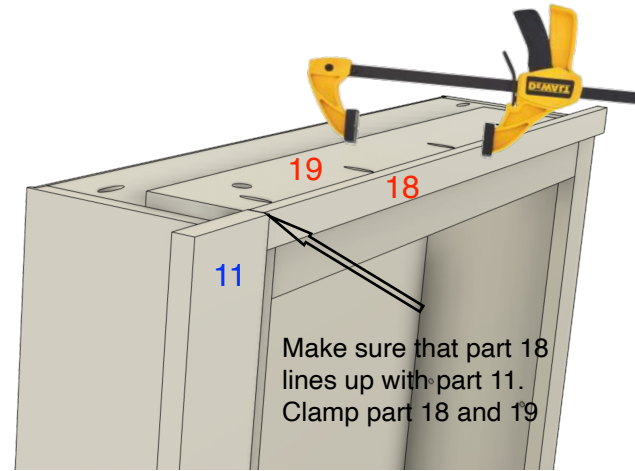
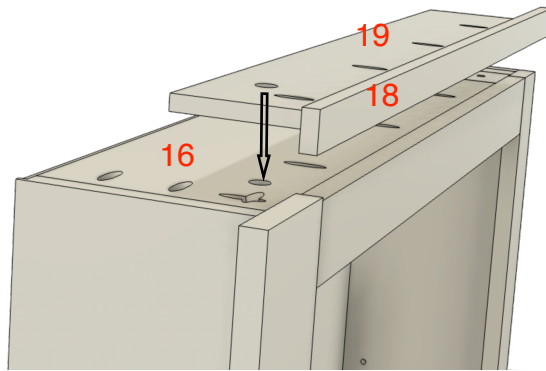
Glue and Nail in all of the back door trim pieces to the edge of the bookcase



Flip the bookshelf case on its side and place part 11 to the bookshelf door case. Alling the holes and screw the door casing from part 7.



Line up the hole on part 19 with the hole on the top of part 16



Make sure that part 18 lines up with part 11. Clamp part 18 and 19

Screw part 19 to 18

